

LSV6-16-2 NCSP

二位二通电磁阀 双向止回型

说明 DESCRIPTION

A solenoid operated, 2-way, 2-position, normally closed, poppet-type bi-directional cartridge valve.

二位，二通，常闭型座阀式电磁阀

工作 OPERATION

When de-energized, the valve blocks flow in both directions. When energized, the poppet shifts to allow flow in either direction.

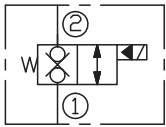
失电时，此阀截止油液双向流动；
得电时，②到①，①到②互通。

手控应急 Operation of Manual Override Option

To override, push button in, twist counterclockwise 180° and release. In this position, the valve will remain open in a detented condition. To return to normal operation, push button in, twist clockwise 180° and release. Override will be detented in this position.

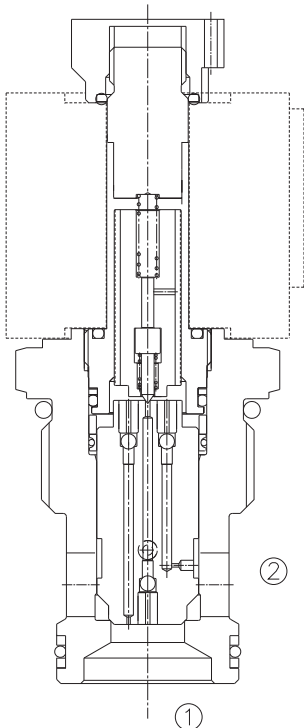
请按下按钮，再逆时针方向旋转 180°，后松开，②到①，①到②互通；请按下按钮，再顺时针方向旋转 180°，后松开，返回常态。

SYMBOL

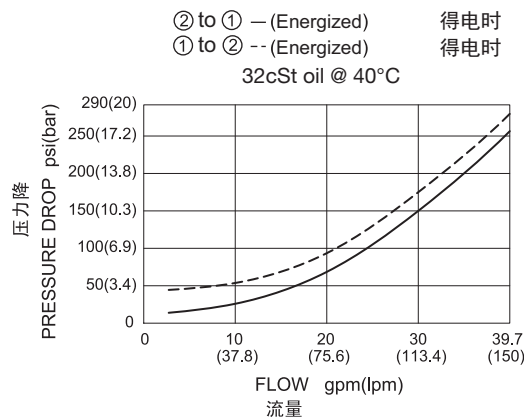


技术参数 SPECIFICATIONS

| | |
|----------------------------------|---|
| 最大工作压力(Max. Operating Pressure): | 350bar |
| 流量(Flow): | See PRESSURE DROP VS.FLOW graph. |
| 内泄漏(Internal Leakage): | 5drops/min.(滴/分) max. at 350 bar |
| 温度(Temperature): | -40°F to +212°F(-40°C to +100°C) |
| 线圈额定负载(Coil Duty Rating): | Continuous from 85% to 115% of nominal voltage(连续工作电压) |
| 过滤(Filtration): | See page (参见) N-1 |
| 油液(Fluids): | Mineral-based fluids with viscosities of 7.4 to 420 cSt.(矿物油粘度) |
| 插孔(Cavity): | 16-2, See page M-3 |
| 阀块材料(Body Material): | Steel & Ductile iron rated to 350bar 钢和球铁允许使用最大压力350bar |



压力 - 流量曲线 PRESSURE DROP VS.FLOW



订货代号 TO ORDER

LSV6 - 16 - 2 NC SP - * - * * - * *

┌───┐
┌──┐
┌──┐
┌──┐
┌──┐
┌──┐
┌──┐
┌──┐
┌──┐

1
2
3
4
5
6
7
8
9

1 功能
LSV6= 电磁阀 Solenoid Valve

2 规格 Size
16=16 规格

3 流道类型 Flow Path
2= 二通

4 模式
NC= 常闭 Normally Closed

5 类型
SP= 锥阀型 Poppet

6 手控应急
空白 Blank= 无手控应急 None
M= 手控应急 Manual Override

7 电压 Voltage
1=12 VDC
2=24 VDC
3=110 VAC
4=220 VAC

8 线圈连接 Coil Connection
D= Double Lead 双线
H= Hirschmann 三插
ER= Deutsch Connector(Water-proof Coil)
德意志插座(防水线圈)

9 阀块油口 Body Porting
空白 Blank= 不带阀块 None
16T=SAE 16
8G=G 1

※ 阀块详见章节 K-9
其它螺纹油口也是可选择的
Other Porting Is Available

安装尺寸 INSTALLATION DIMENSIONS

Coil Must Be Installed With Letter Up
安装线圈时，字母必须朝上。

Unit=Millimeters

